

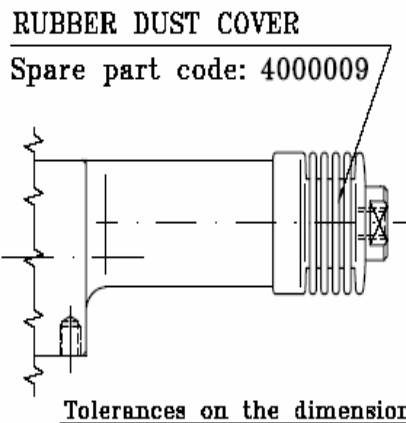
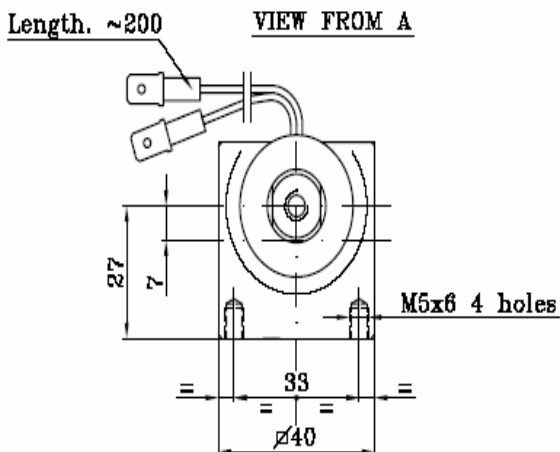
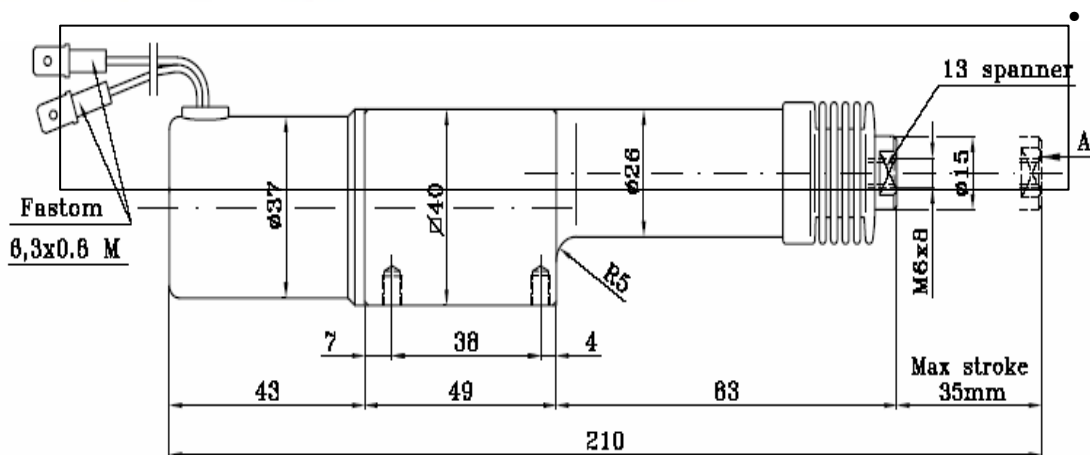
Linear Actuator

GA4035



- Small, strong unique size
- Maximum load 140N
- 35mm stroke
- 12vdc and 24vdc available
- Power consumption 8W
- Maximum speed 5.8mm/sec
- Minimum speed 1.2mm/sec
- Choice of stop mechanisms

ECU or



Tolerances on the dimensions $\pm 0.8\text{mm}$