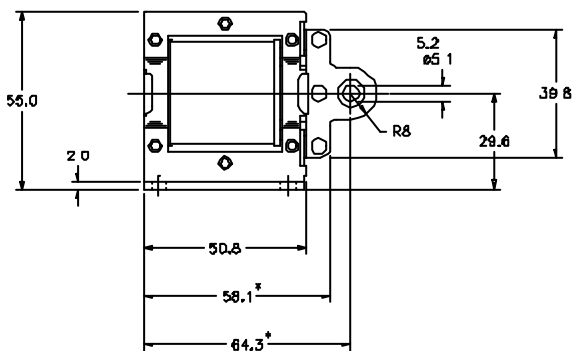
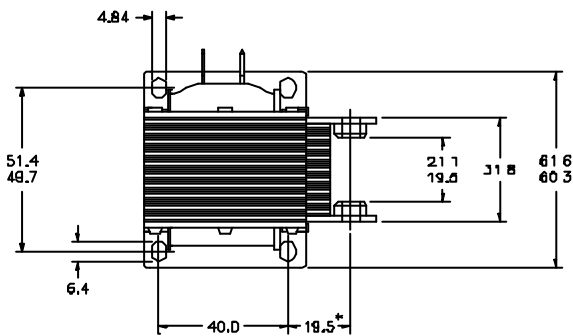


AC Laminated Solenoid (Model A143)

ML3651



- Rugged Design for long Life
- Flying Leads or Tags
- Optional Voltage Ratings
- Copper Guides
- Copper Shading Rings
- Varnish Impregnated Coil
- Fast Response Time



* DIMENSIONS WITH SOLENOID ENERGISED
TOLERANCES (UNLESS STATED) $\pm 0.4\text{mm}$

