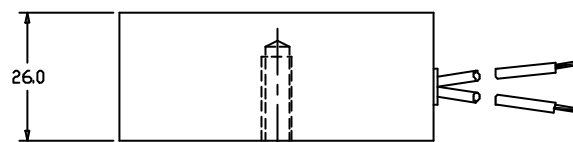
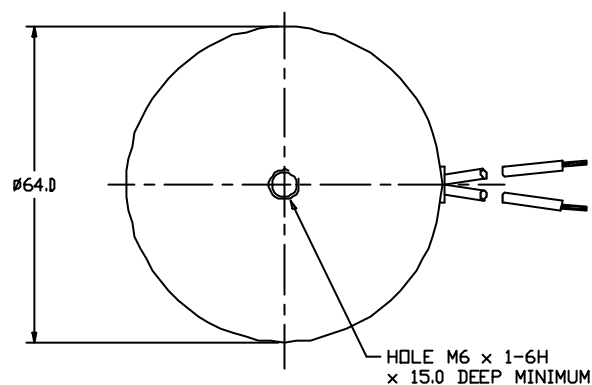
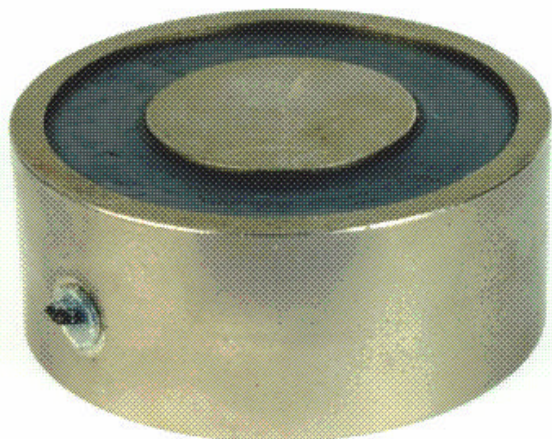


Holding Magnet

MM6426



TOLERANCES (UNLESS STATED) \pm 0.15mm

HOLDING FORCE-----500N MINIMUM
POWER-----4W
RATING-----100% ED

- High Force Type
- Precision Ground Pole Faces
- Flying Leads with Optional Connectors
- Electroless Nickel Plated
- Other Finishes Available
- 12VDC & 24VDC Standard Versions
- Other Voltages Available
- Optional Mounting Centres