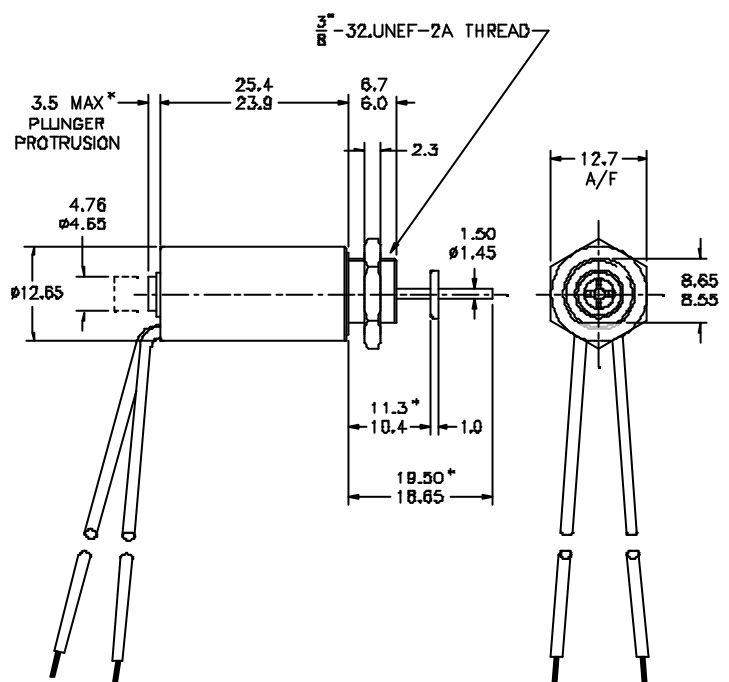
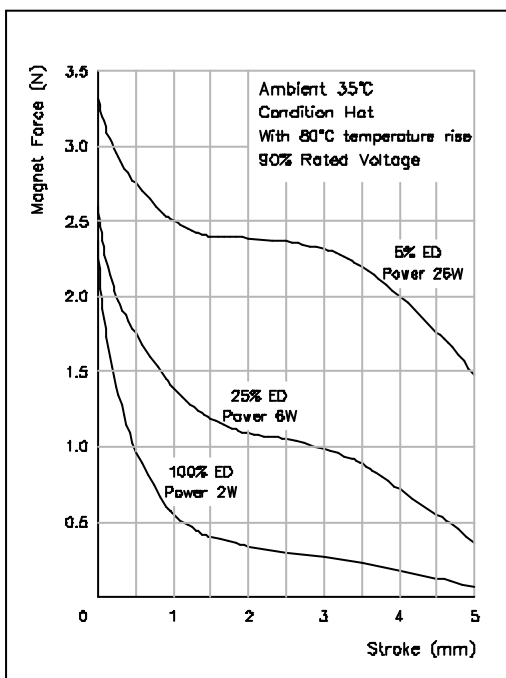


Tubular Solenoid

MT0525



- Thrust Type Operation
- Captive Plunger
- Flying Leads with Optional Connectors
- Various Voltage Ratings
- Optional Return Spring
- Alternative Plating Finishes
- Threaded Mounting



* DIMENSIONS WITH SOLENOID ENERGISED.
TOLERANCES (UNLESS STATED) $\pm 0.25\text{mm}$