

Tubular Solenoid (Model M75)

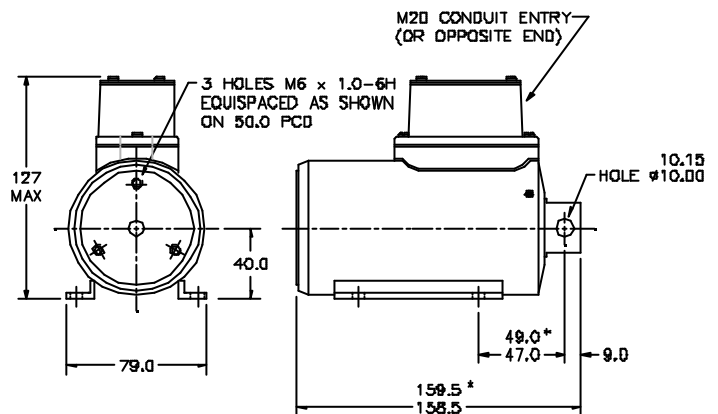
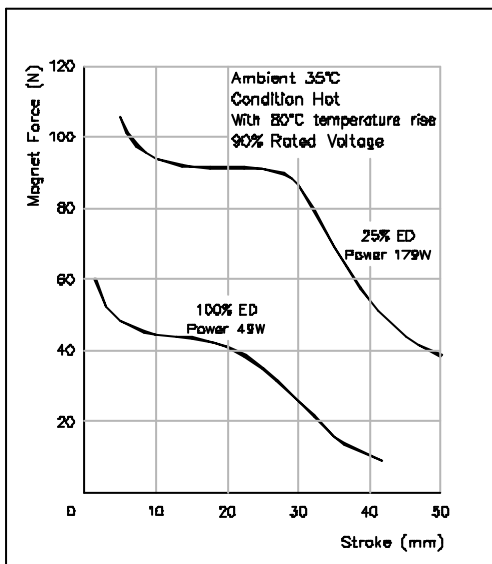
MT32134



- High Force / Long Stroke
- Fully Enclosed Construction with Potted Coil
- Pull & Thrust Options
- Anti-Residual Disc as Standard
- Alternative Finishes
- Alternative Terminations Available
- Optional Return Springs
- Alternative Fixing Options
- Optional Mounting Centres

If plunger works with gravity:
stroke force = magnet force + plunger weight force.

If plunger works against gravity:
stroke force = magnet force - plunger weight force.



* DIMENSIONS WITH SOLENOID ENERGISED.
TOLERANCES (UNLESS STATED) $\pm 0.25\text{mm}$

